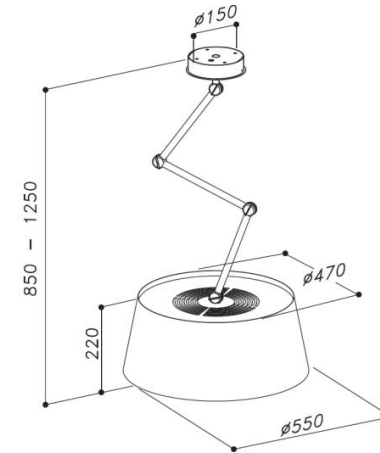


SILT – 21 B (Black Finish) Island/Pendant Re-Circulating Hood



FEATURE	BENEFIT
DESIGNER CANOPY RANGE	Sleek and Contemporary Design with superior power and performance
LED STRIP LIGHTING	Energy efficient with Better illumination of cooking area and a Longer life span than standard globes. Modern aesthetic Look
ALUMINIUM INTERNAL FILTER	Dishwasher safe, Designed for greatest air movement for maximum performance, Easy to fit and remove.
INDUCTION COUNTDOWN CONTROL	10 minute auto function used at the end of cooking to reduce condensation build up common to induction cooking.
EBM MOTOR OPTIONS	Single Aluminium EBM motor
CLEAN FILTER INDICATOR	Takes the guessing game out of maintaining your hood
MADE IN ITALY	Units are designed specifically for the Australian market and manufactured in Italy by dedicated boutique specialist manufacturer

MODEL	CONTROL PANEL	MOTOR	EXTRACTION	DUCTING DIAMETER	LIGHTS	FILTER	ELECTRICAL REQUIREMENT	dB RATING	PRODUCT DIMENSIONS
SILT- 21 B (Black Finish)	REMOTE CONTROL	SINGLE ALUMINIUM EBM	600m/3h	N/A	4 x 1W LED	HYBRID ALUMINIUM FILTER	10A	59dB	550 x 220 x 850 - 1250