

the 90cm-wide dishwasher by smeg, model **STH903**

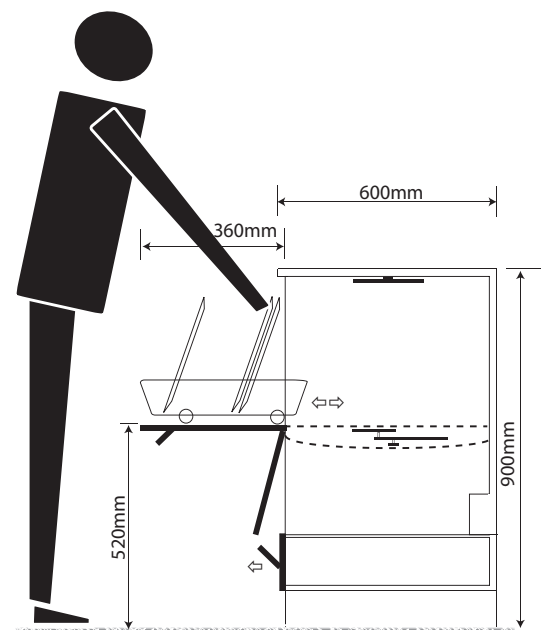


- install directly below benchtop or raise into wall column
- full-width dishwasher basket sits at over 52cm above kitchen floor; a normal dishwasher's bottom basket is at about 17cm above the kitchen floor — there is now no awkward bending
- door extrusion into kitchen space at only 36cm when fully open; a normal dishwasher's door extrusion is between 61–65cm
- the entire loading area is elevated, close and in full view for ergonomic loading and unloading
- fully integrated — add door cabinets and handles of your choice
- suits standard 60cm deep cabinets — actual total dishwasher carcase depth of 553mm
- space for drawer installation below dishwasher

- twin orbital wash systems, two full ceiling wash arms
- 12 international placesettings in compliance with AS/NZS2007
- fits 32cm diameter plates
- 6 collapsible dish racks — multi-loading options
- 77cm basket width — normal dishwasher 52cm
- accommodates 70cm and 90cm oven racks and trays
- 14 litre water consumption, three star, 10 litre fast programs
- 43 dBA at motor, 38 dB installed, fully loaded and operating
- annual energy consumption 231 kW, three star

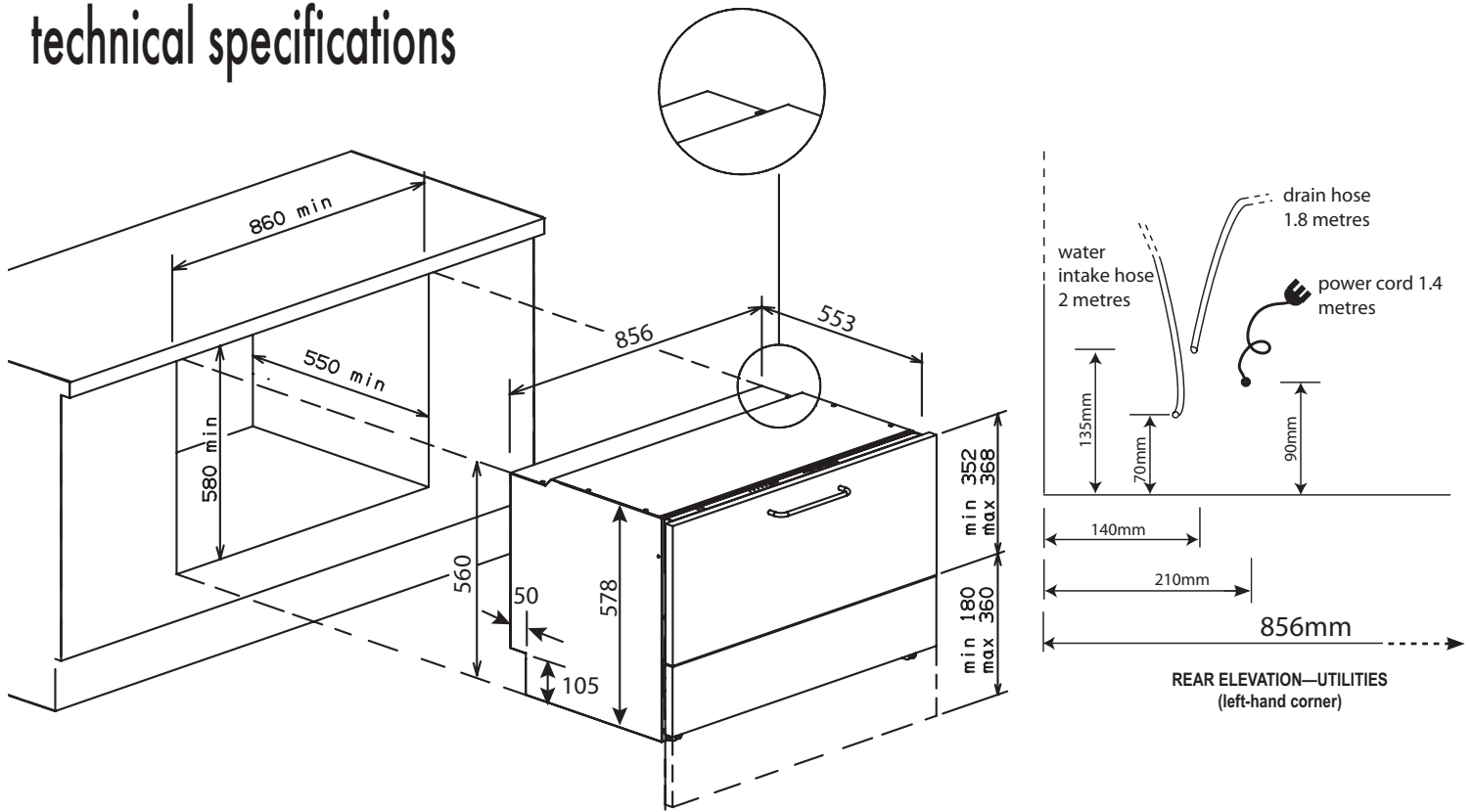


- full electronic display
- 10 wash programs
- differential (half load) 65/35 wash, left or right
- 5 wash temperatures — 38°, 45°, 55°, 65°, 70° Celsius
- 3 rinse temperatures — ambient, 68°, 70° Celsius
- 2/1, 3/1, 4/1 tablet detergent — rinse aid selection
- 1–9 hour delay start with automatic initial prewash, 3.5 litre only
- grey rilsen baskets
- triple hinging, spring loaded for finger safety
- 5 stage, self-cleaning filter
- anti flood, TOTAL ACQUASTOP: six stage checks
- patented drip tray — deflects water drips away from door opening

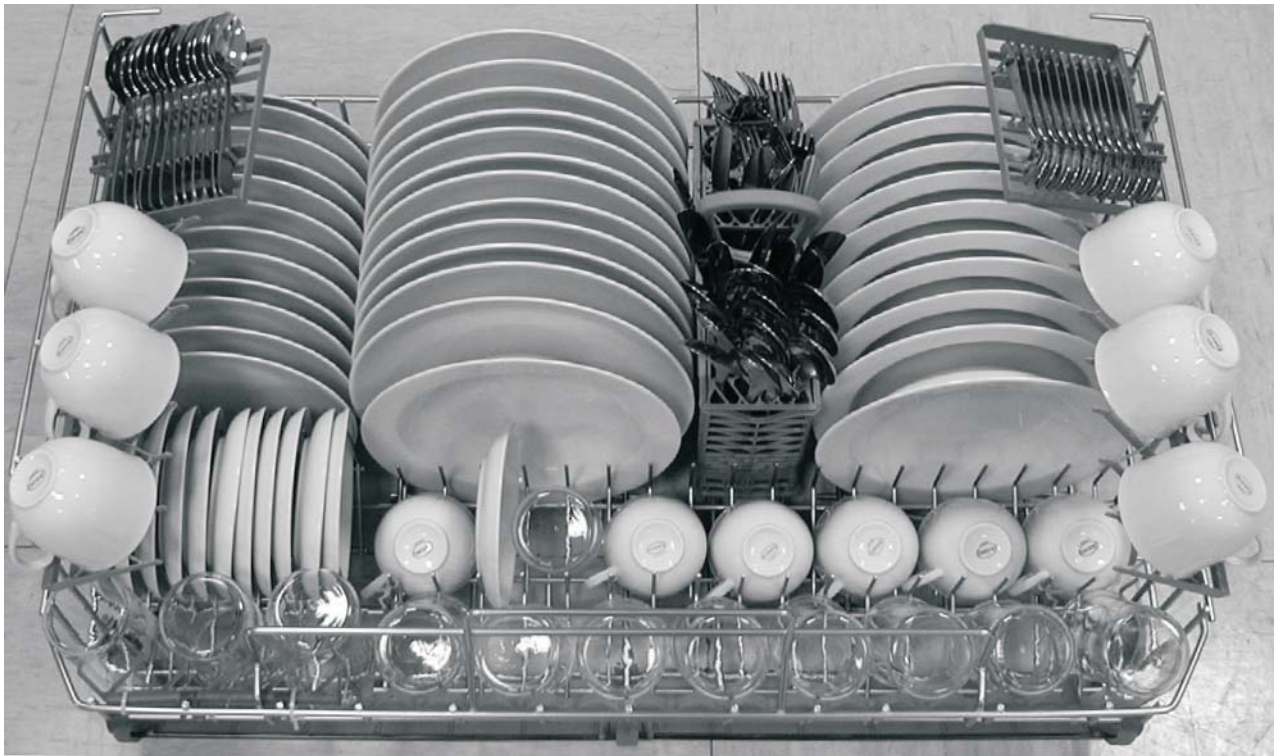


the 90cm-wide dishwasher by smeg, model **STH903**

technical specifications



NB: drawings are not to scale — they are to assist only
NB: the STH903 can be wall mounted



Warning: technical specifications and product sizes can be varied by the manufacturer without notice.
Cutouts for appliances should only be by physical product measurements. The above information is indicative only.