

SHC965X

smeg 96.5cm concealed undermount rangehood



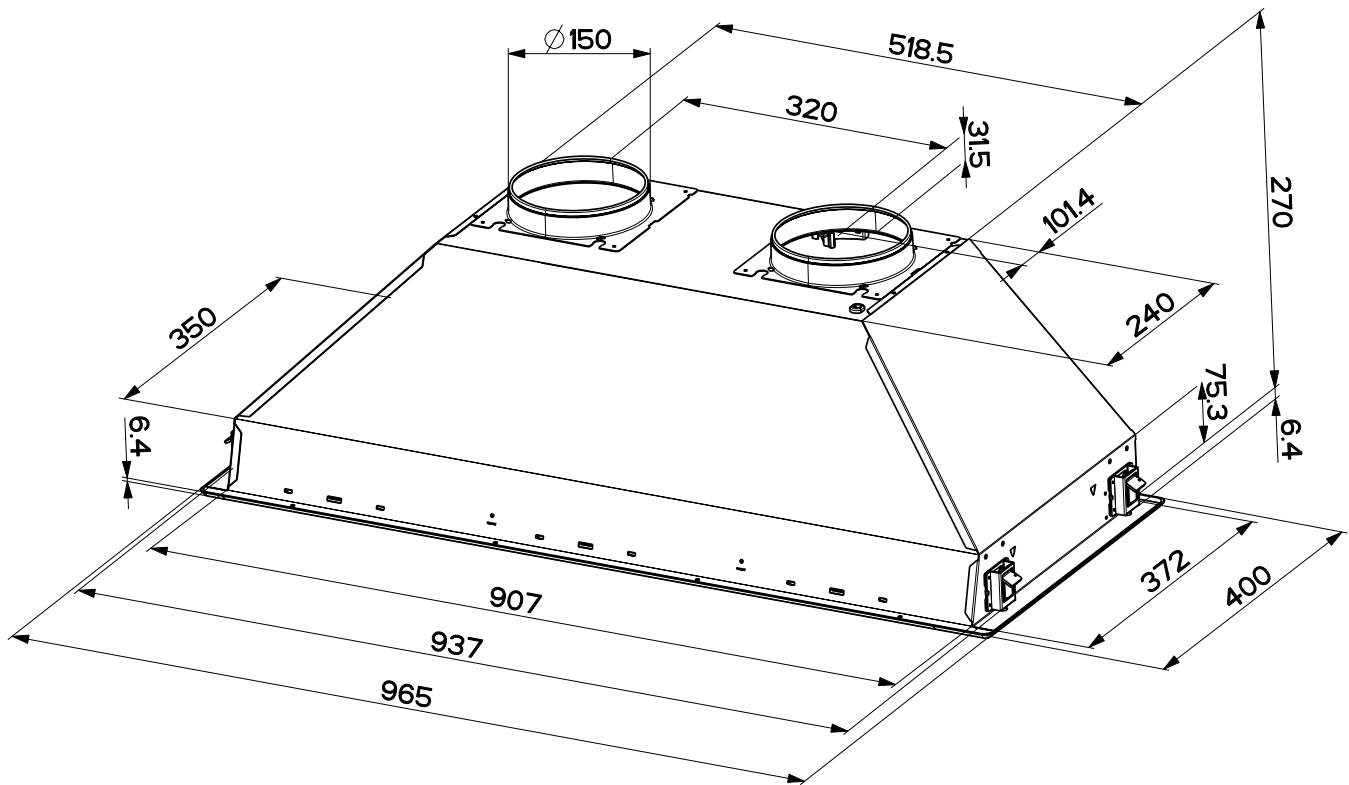
EAN 9345025000750

finish	stainless steel
dimensions	965mmW x 270mm H x 400mmD
installation	undermount
motor	2 x 250W centrifugal
air extraction	<ul style="list-style-type: none"> • duct direct to atmosphere — 150mm diameter ducting required • recirculate to kitchen — 125mm ducting required
capacity	1600m ³ /hr (IEC 61591: p=0) 1280m ³ /hr (IEC 61591: p=1)
noise rating	55–75 dBA (IEC 60704-3)
illumination	3 X 50W halogen globes
speeds	three, progressive button
maximum current	0.17 amps
power supply	220–240V, 50Hz
supplied	3 x metal baffle filters
optional	charcoal filters (part #112.0157.240)
weight	26kg gross, 20kg net
package dimensions	470x1045x465mm

p = 0 → airflow direct out of motor housing
p = 1 → airflow after 1m & 90° bend + 1m

SHC965X

smeg 96.5cm concealed undermount rangehood



PLEASE NOTE: drawings are not to scale. They are to assist only.