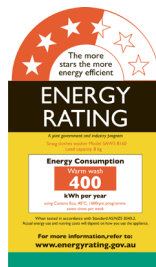


SAWS8160

Smeg 8kg Front Loading Washing Machine



## STEAM REFRESH

Eliminate odours and refresh clothing gently in 20 minutes. Reduce ironing time by 43%.



## SOFT DRUM PATTERN

Non-abrasive design for better protection of clothes.



## INVERTER MOTOR TECHNOLOGY

Efficient, brushless system prolongs life of the washing machine and consumes less energy. Unique unbalanced load detection combined with different wash motions delivers a superior wash.



## HYGENIC HEAVY DUTY

Extended washing time and extra rinsing specially designed for babies, children and those with sensitive skin or allergies.



## DETERGENT DRAWERS

Two drawers for alternative detergent use.



## WOOLMARK

Tested and approved by The Woolmark Company for 'machine wash' labels. For best results follow manufacturer's instructions.

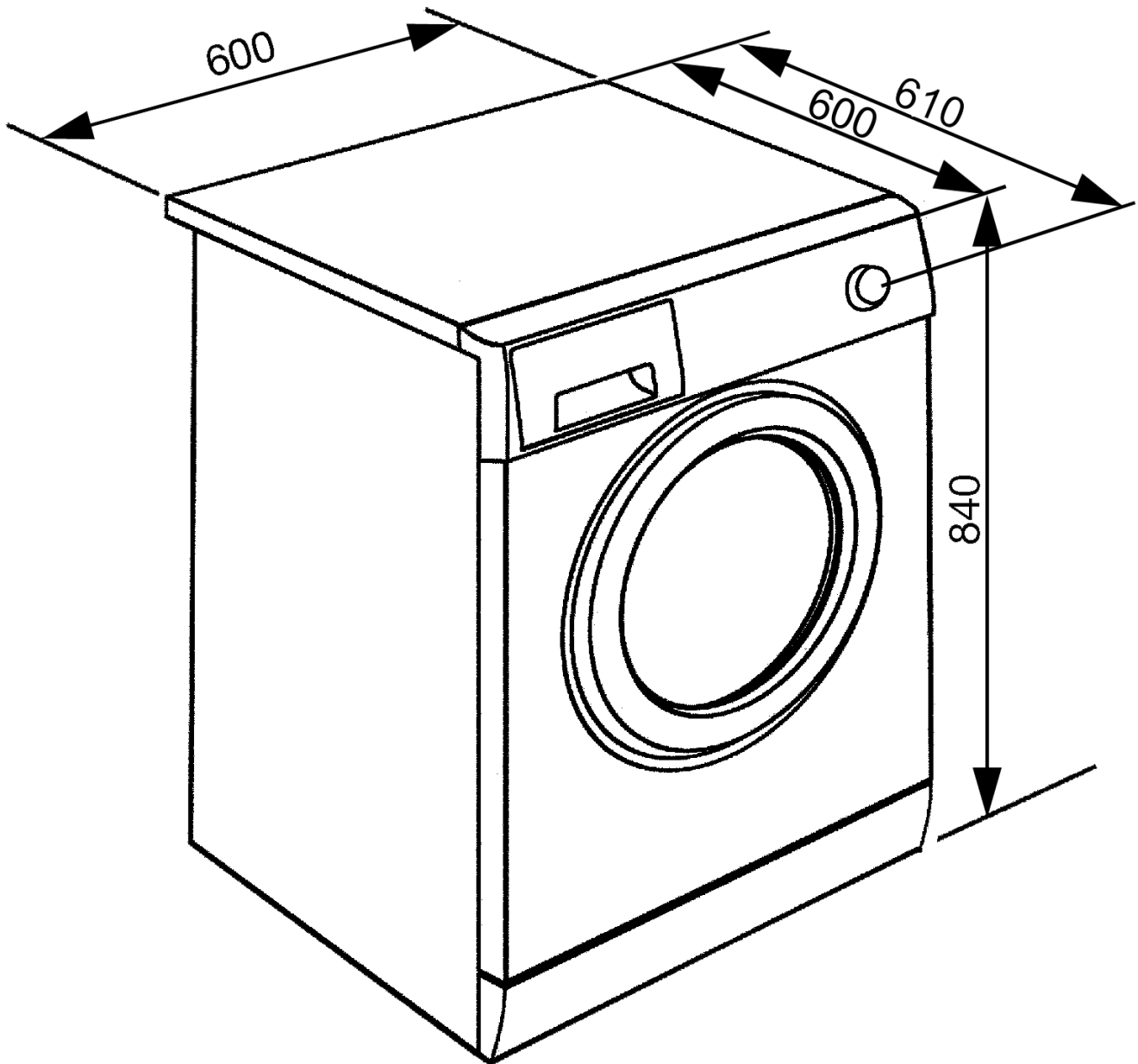
EAN

8690842025006

Finish	White, chrome and white door	
Display	LCD (TFT)	
Size	840mmH x 600mmW x 600mmD	
Drum construction	Stainless steel	
Capacity	8kg	
Door	Diameter: 50cm, porthole: 34cm, opening angle: 170°	
Programs (16)	Synthetics Shirts Blankets Delicates Hand Wash Steam Refresh Rinse Spin + Drain	Auto Program Cottons Cottons Eco Hygienic Heavy Duty Full Load Quick Small Load 14' Wool Sports & Outdoor
Features	Inverter motor technology Variable spin speed selection Remaining time indicator Encoder knob Temperature selection Time delay Memory function	Cold wash option Automatic water control system Out of balance detection Liquid detergent compartment Double water inlet Water pressure sensor Woolmark approval
Auxiliary functions	Prewash, quick rinse, extra rinse, memory	
Spin speed	1600rpm	
Water consumption	58L	
Energy consumption	400 kWh	
Electrical input	220-240V/50Hz	
Total current	10 amps	
Safety	Child lock, overflow safety, Acquastop	
Packaged weight	74kg	
Warranty	Five years parts and labour, ten years motor	

SAWS8160

Smeg 8kg Front Loading Washing Machine



PLEASE NOTE: Drawings are not to scale. They are to assist only.

WARNING: technical specifications and product sizes can be varied by the manufacturer, without notice. Cutouts for appliances should only be by physical product measurements. The above information is indicative only.