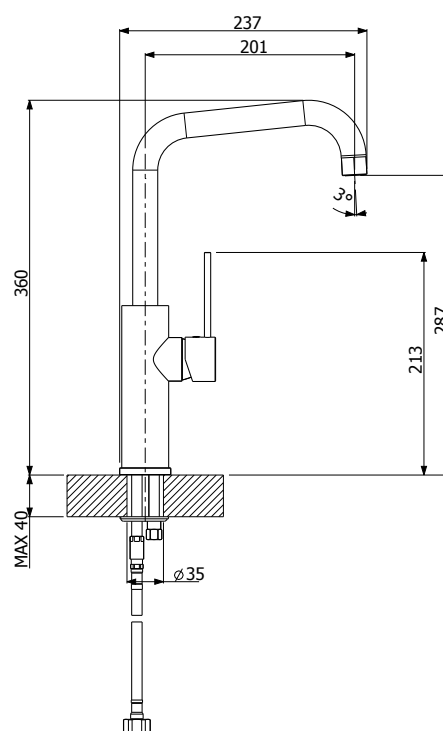


# MT0269

## Mito

Oliveri®



### RECOMMENDED SINK RANGE



Oliveri

**15 YEAR  
WARRANTY**

### SPECIFICATIONS

#### Description

Mito square goose neck mixer

#### Mixer Height

360mm

#### WELS Rating

4 star water efficiency

7.0 L per minute

#### Cartridge Size

35mm

#### Cartridge Type

Ceramic disc

#### Finish

Chrome (MT0269C) or Brushed (MT0269B)

#### Spout height

287mm

#### Maximum

#### Operating Pressure

600kpa

#### Origin

Made in Italy

#### Carton Size

490 x 390 x 75 mm

#### Weight

2.5 kg

#### Warranty

15 year warranty\* (refer to oliverisinks.com)

For more information call **1800 13 7465** or visit **[www.oliverisinks.com](http://www.oliverisinks.com)**



\*15 year warranty consists of 5 year warranty only (parts and labour), plus an additional 10 year parts only.  
 © Registered trademark of Tasman Sinkware. Under its policy of ongoing product development Tasman Sinkware may from time to time change product specification without notice.  
 All dimensions given are approximate and should be checked prior to installation. See Oliveri installation instructions for installation details. March 2014 (V1).