

# FREESTANDING COOKERS

## FS9606XSN 90 CM FREESTANDING COOKER



EAN 8017709235833

Dimensions	900mmW x 885-915mmH x 600mmD
Finish	Stainless steel, Eclipse high visibility black glass
Installation	Freestanding
Display	5 button LED programmer

### Main oven

Capacity	126L
Total functions	6
Door glass	Triple glazed door
Cooking levels	5
Thermostat	50-260°C
Programmability	Fully programmable
Cleaning	Vapour Clean
Lighting	2 x 40W halogen
Safety	Thermal protection
Supplied accessories	1 x Chrome shelf 1 x Chrome grill insert 1 x 20mm Enamelled baking tray 1 x 40mm Enamelled baking tray
Optional accessories	GT1P-2 - Partial telescopic guides GT1T2 - Total telescopic guides
Power	220-240V, 50/60Hz 3200W 15A
Warranty	Two years parts and labour



### THERMOSEAL

The seal of Smeg's quality, technical excellence and taste: succulent roasts, crisp pastry and impressive baking is achieved in Smeg's unique, perfectly controlled cooking environment. Thermoseal maintains the perfect atmospheric balance in the cavity for optimum cooking conditions.



### EVER CLEAN ENAMEL

The superior quality of Smeg's patented Ever Clean enamel, which is highly durable and easy to clean, is the result of nearly 70 years of enameling expertise; ensuring long-life performance of every Smeg oven.



### VAPOUR CLEAN

Smeg's Ever Clean enamel's tough surface has a glassy finish, so a simple spray of water and detergent around the cavity in conjunction with the Vapour Clean option will generate heat and steam to soften any grease for a wipe-clean result.

### Gas hob

Capacity	5 Burners Centre (wok) 14.4 MJ/hr Front left 12 MJ/hr Rear left 7.5 MJ/hr Front right 3.9 MJ/hr Rear right 7.5 MJ/hr
Gas input	Set for natural gas, regulator supplied, adapt for ULPG, no regulator required
Safety	Flame failure device fitted to each burner
Supplied accessories	1 x Moka stand

Exclusive to

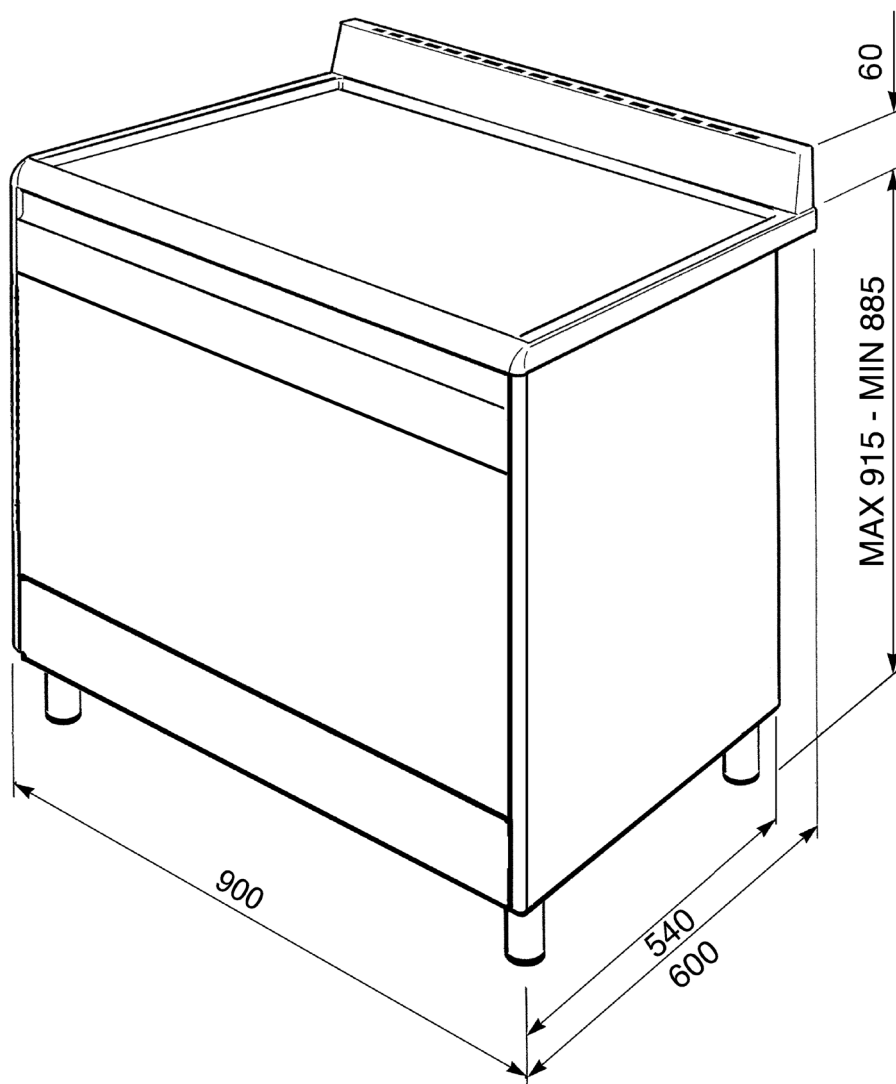


ID161128

FREESTANDING COOKERS

**FS9606XSN**  
90 CM FREESTANDING COOKER

Functions



PLEASE NOTE: drawings are not to scale. They are to assist only.  
WARNING: technical specifications and product sizes can be varied by the manufacturer without notice.  
Cutouts for appliances should only be by physical product measurements. The above information is indicative only.

ID161128