



Domestic Appliances/Cooking & Baking/CombiSet Units/Models



Price:
AU \$2,999

CS 1327 Y

Design

Solid stainless steel surface with large drip channel
Solid metal knobs
Embossed Miele logo

User convenience

Metal knobs on separate control panel

Cooking zones

Heated stainless steel surface with 2 multilayered usable zones to ensure the best heat distribution possible

Displays

ON indicator and residual heat indicators

Power rating

Front: 1.30 kW
Rear: 1.30 kW
Total rated load: 2.60 kW
12 temperature settings

Standard accessories

Connection cable with plug

Electrical connection

Total connected load 2.4 kW Voltage 230 V

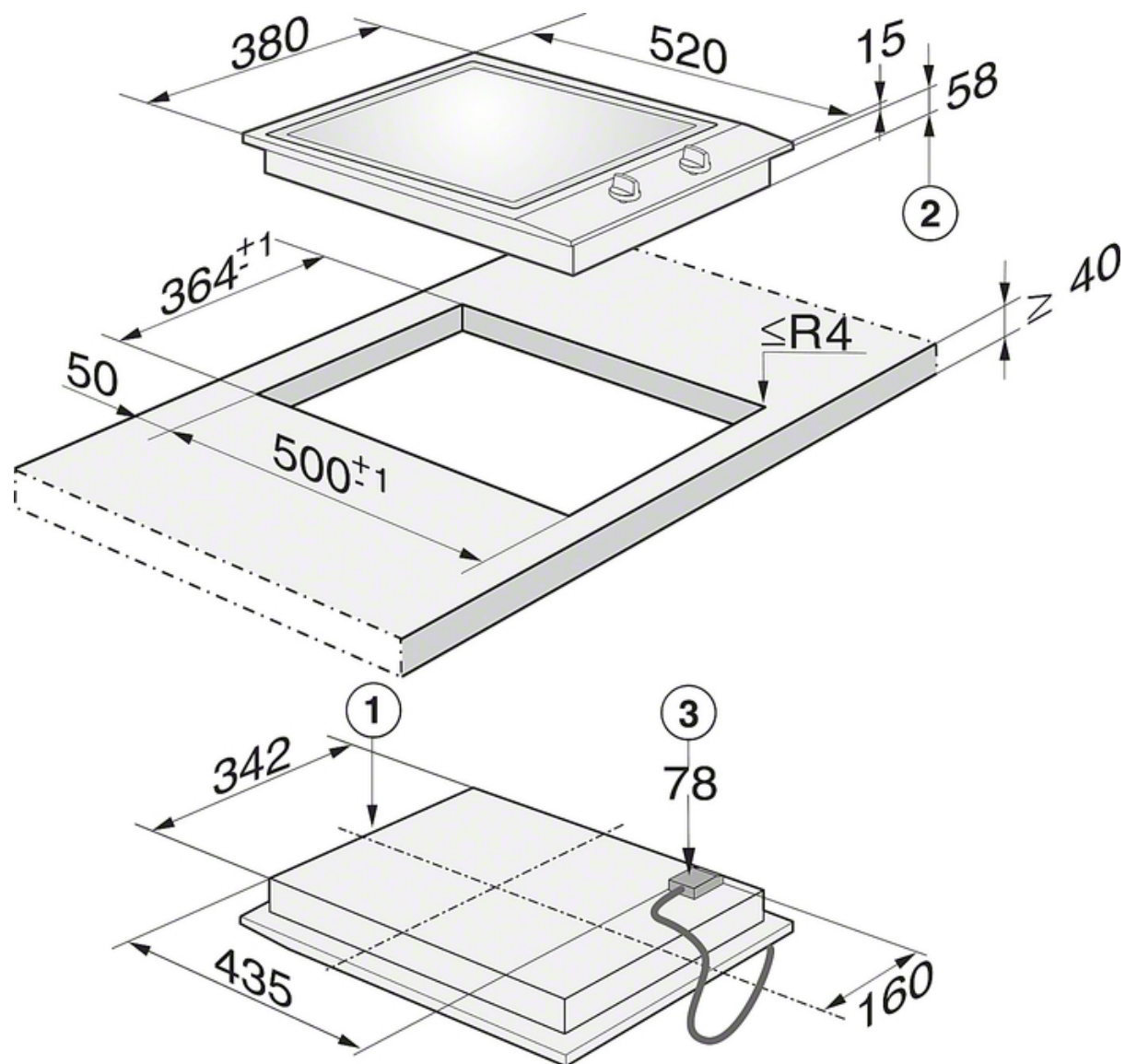
Cut-out dimensions

Width: 364 mm
Depth: 500 mm

Product availability, information and prices are subject to change without prior notice.

Installation drawings

Installation diagrams are indicative measurements only and must be read in conjunction with the operating/installation instructions accompanying the product.



- 1) Front
- 2) Height for building in
- 3) Mains connection box with cable, 2000 mm long