

BTIPO6S

60cm cabinet, 1¼ bowl with drainer sink

BLANCO



Model Code

BTIPO6SL – left hand bowl
BTIPO6SR – right hand bowl

Inclusions

Pre-fitted Polyethylene Seal
Pre-fitted Sink Clips

Warranty

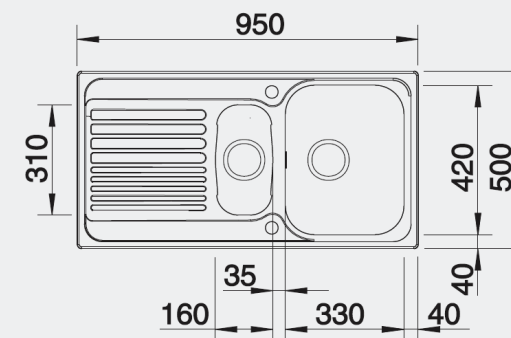
30 Year Life Time Warranty - subject to conditions on warranty card

Features

Benefits

Made in Germany	For purposes of strict quality control, all BLANCO sinks are made in Germany.
18/10 Surgical Grade Stainless Steel	Highest quality Stainless Steel provides a hygienic work surface for food preparation.
Brushed Finish	-Quality finish for optimal Performance. -Easy maintenance. -Maintains its lustrous appearance.
Deep Profile Edge	-Strong rigid work surface. -Helps to prevent water escaping from the sink to your bench top. -Strength and stability
Raised tap pad	Further elevates tap from water and helps to prevent grime build up at base of tap
Hygienic extra flat rim	Subtle styling with maximum convenience.
Large 22L Capacity Main Bowl	Maximum bowl capacity easily accommodates large baking trays, pots and utensils.
Practical drainer Design	-Flat work Surface. -No dirt or grime build up. -No pooling of water during food preparation or draining dishes.
Bacteria resistant Polyethylene Seal and Sink clips applied.	-Eliminates the risk of water penetrating the cabinet below. -Reduces installation time & costs. -For a Quick & Easy installation.
Full 30 year Blanco Warranty	Assurance of quality and Blanco support

Specifications



Dimensions:	950 x 500mm
Engineered:	18/10 Surgical Grade Stainless Steel
Bowl Depths:	160mm & 130mm
Bowl Sizes:	330mm x 420mm
Cut-out Size:	932 x 482 (15mm radius corners)
Standard Inclusions:	Designer Waste Polyethylene Seal Sink Clips

Optional Accessories:

BUCRBSS - Stainless Steel Crockery Basket
MESCOLSS - Stainless Steel Colander
MESCOLG - Grey Plastic Colander
VIVAGCB - Cutting Board
MESDRAING - Plastic Drainer