



Domestic Appliances/Cooking & Baking/Cooktops/Models



Price:
AUS \$3,999

KM 6382

Design

Raised stainless steel rim

Cooking zones

5 induction cooking zones with pan/pan size recognition and auto heat-up

Booster function for all cooking zones, two with TwinBooster
Keeping warm function, Stop & Go function

User convenience

Onset touch sensor DirectSelection Plus controls along the front
Cooktop and cooking zone on/off sensor controls
Power levels 1-9 with digital display
Timer from 1 minute to 9 h with automatic switch-off
Minute minder

Indicators

Residual heat indicator for each ring in control panel
back-lit power setting indicator 1-9
ON/OFF indicator, Programme lock, System lock and AutoBoost
Booster indicator and 'no pan' indicator

Safety

Safety switch-off
Lock function
System lock
Fault monitoring
Overheating switch-off on induction rings
Integrated cooling fan with automatic run-on

Cleaning & Care

Easy-to-clean ceramic glass

Dimensions

Cut-out dimensions W x D = 916 mm x 500 mm
Appliance dimensions W x D = 930 mm x 514 mm

Standard accessories

Razor-blade scraper
Supply lead provided (separate)

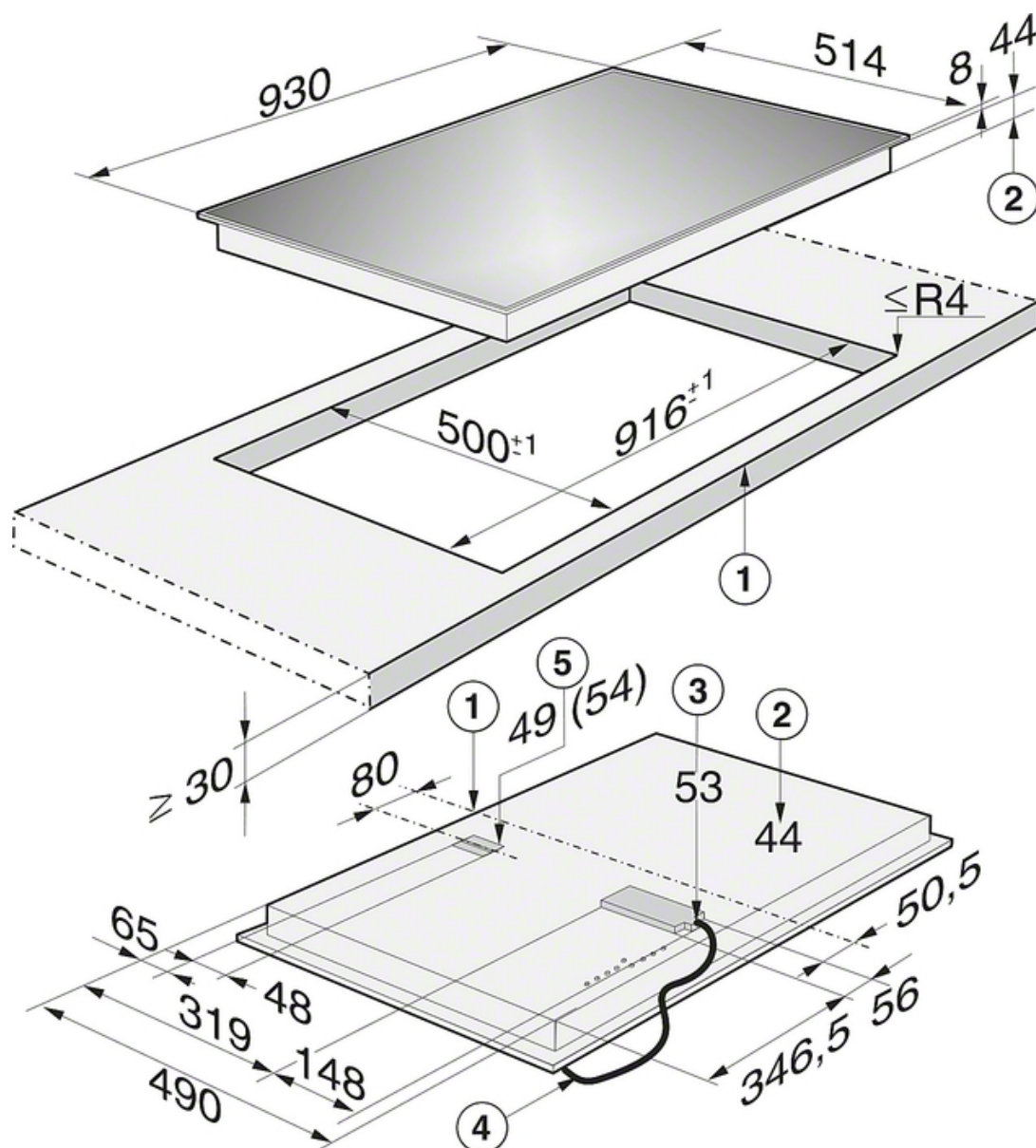
Electrical connection

Total rated load: 11.1 kW

Product availability, information and prices are subject to change without prior notice.

Installation drawings

Installation diagrams are indicative measurements only and must be read in conjunction with the operating/installation instructions accompanying the product.



1. Front
2. Building-in depth
3. Building-in height mains connection cable
4. Mains connection cable, L = 1,440 mm, supplied loose
5. Miele@home connection, Building-in height with Miele@home connection cable = 54 mm